

GAAK SPHERE

MEDIANLY STABILIZED KNEE

DIFFERENT NEEDS... ..YOUR GLOBAL SOLUTION



Specification Guide

Hip

Knee

Spine

Navigation

GMK SPHERE - SPECIFICATION GUIDE

TABLE OF CONTENTS

1	GMK SPHERE FEMORAL COMPONENT	4
2	GMK SPHERE FLEX TIBIAL INSERT	6
3	GMK SPHERE TIBIAL BASEPLATE	8
4	GMK RESURFACING PATELLA	10
5	GMK PRIMARY STEM	11
6	IMPLANTS COMPATIBILITY	12

1 GMK SPHERE FEMORAL COMPONENT



MATERIALS: Co28-Cr6-Mo - ISO 5832-4

REFERENCE NUMBERS

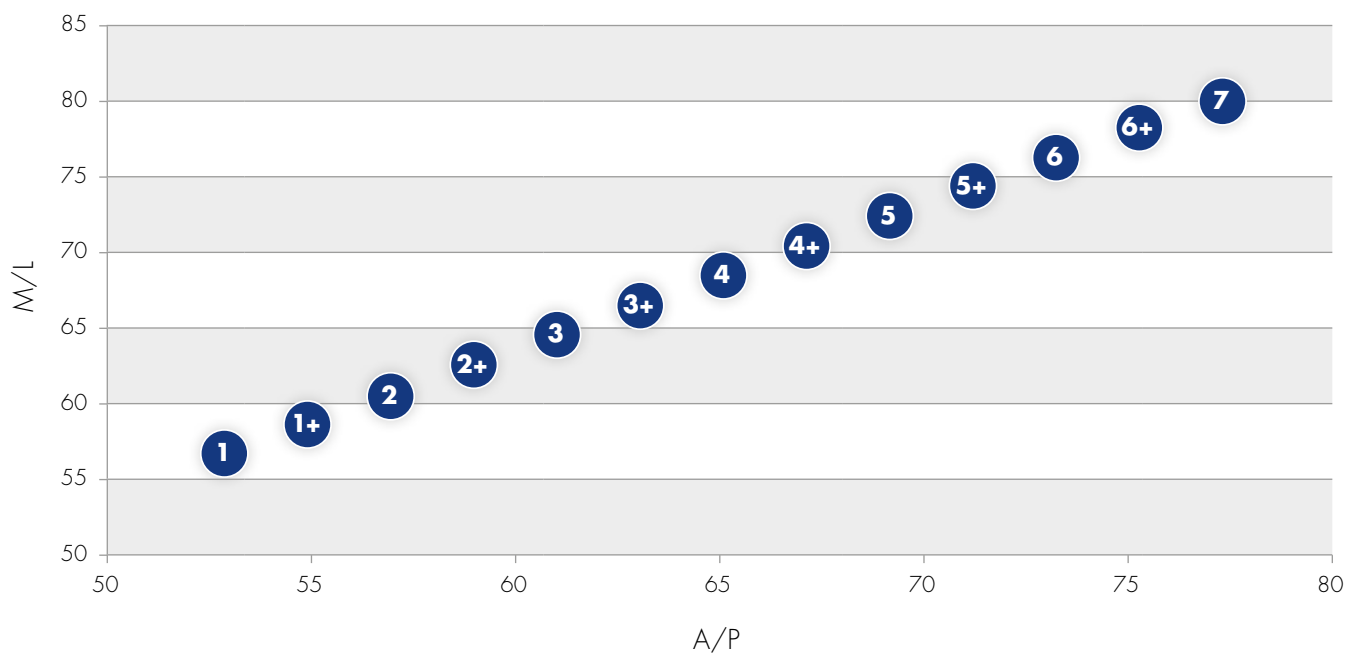
Size	Left side	Right side
1	02.12.0001L	02.12.0001R
1+	02.12.0021L	02.12.0021R
2	02.12.0002L	02.12.0002R
2+	02.12.0022L	02.12.0022R
3	02.12.0003L	02.12.0003R
3+	02.12.0023L	02.12.0023R
4	02.12.0004L	02.12.0004R
4+	02.12.0024L	02.12.0024R
5	02.12.0005L	02.12.0005R
5+	02.12.0025L	02.12.0025R
6	02.12.0006L	02.12.0006R
6+	02.12.0026L	02.12.0026R
7	02.12.0007L	02.12.0007R



DIMENSIONS

Size	Overall A/P (mm)	Functional A/P (mm)	Overall M/L (mm)	Distal Thickness (mm)	Posterior Condyle Thickness (mm)
1	53	38	56	9	8
1+	55	40	58	9	8
2	57	41.5	60	9	8
2+	59	43	62	9	8
3	61	45	64	9	8
3+	63	46.5	66	9	8
4	65	48.5	68	9	8
4+	67	50	70	9	8
5	69	52	72	9	8
5+	71	53.5	74	9	8
6	73	55	76	9	8
6+	75	57	78	9	8
7	77	58.5	80	10	9

GMK SPHERE FEMORAL COMPONENT - OVERALL A/P VS OVERALL M/L



2 GMK SPHERE FLEX TIBIAL INSERT



MATERIALS: UHMWPE - ISO 5834-2 Type 1
Ti 6-Al 4-V - ISO 5232-3 (Screw)

REFERENCE NUMBERS - Size 1

Thickness (mm)	Left side	Right side
10	02.12.0110FL	02.12.0110FR
11	02.12.0111FL	02.12.0111FR
12	02.12.0112FL	02.12.0112FR
13	02.12.0113FL	02.12.0113FR
14	02.12.0114FL	02.12.0114FR
17	02.12.0117FL	02.12.0117FR
20	02.12.0120FL	02.12.0120FR

REFERENCE NUMBERS - Size 2

Thickness (mm)	Left side	Right side
10	02.12.0210FL	02.12.0210FR
11	02.12.0211FL	02.12.0211FR
12	02.12.0212FL	02.12.0212FR
13	02.12.0213FL	02.12.0213FR
14	02.12.0214FL	02.12.0214FR
17	02.12.0217FL	02.12.0217FR
20	02.12.0220FL	02.12.0220FR

REFERENCE NUMBERS - Size 3

Thickness (mm)	Left side	Right side
10	02.12.0310FL	02.12.0310FR
11	02.12.0311FL	02.12.0311FR
12	02.12.0312FL	02.12.0312FR
13	02.12.0313FL	02.12.0313FR
14	02.12.0314FL	02.12.0314FR
17	02.12.0317FL	02.12.0317FR
20	02.12.0320FL	02.12.0320FR

REFERENCE NUMBERS - Size 4

Thickness (mm)	Left side	Right side
10	02.12.0410FL	02.12.0410FR
11	02.12.0411FL	02.12.0411FR
12	02.12.0412FL	02.12.0412FR
13	02.12.0413FL	02.12.0413FR
14	02.12.0414FL	02.12.0414FR
17	02.12.0417FL	02.12.0417FR
20	02.12.0420FL	02.12.0420FR

REFERENCE NUMBERS - Size 5

Thickness (mm)	Left side	Right side
10	02.12.0510FL	02.12.0510FR
11	02.12.0511FL	02.12.0511FR
12	02.12.0512FL	02.12.0512FR
13	02.12.0513FL	02.12.0513FR
14	02.12.0514FL	02.12.0514FR
17	02.12.0517FL	02.12.0517FR
20	02.12.0520FL	02.12.0520FR

REFERENCE NUMBERS - Size 6

Thickness (mm)	Left side	Right side
10	02.12.0610FL	02.12.0610FR
11	02.12.0611FL	02.12.0611FR
12	02.12.0612FL	02.12.0612FR
13	02.12.0613FL	02.12.0613FR
14	02.12.0614FL	02.12.0614FR
17	02.12.0617FL	02.12.0617FR
20	02.12.0620FL	02.12.0620FR



DIMENSIONS

Insert Thickness (mm)	Poly Thickness (mm)
10	7
11	8
12	9
13	10
14	11
17	14
20	17



DIMENSIONS

Size	A/P (mm)	M/L (mm)
1	38	59
2	41	64
3	44	69
4	47	74
5	50	79
6	53	83

3 GMK SPHERE TIBIAL BASEPLATE



GMK Tibial Baseplate
Sizes 1 to 6



GMK Sphere Tibial Baseplate
Size t3-i4 (Tibia size 3 for insert size 4)



GMK Sphere Tibial Baseplate
Size t4-i3 (Tibia size 4 for insert size 3)

MATERIALS: *Co28-Cr6-Mo - ISO 5832-4*
UHMWPE - ISO 5834-2 Type 1 (Plug)

REFERENCE NUMBERS

Size	Left side	Right side
1	02.07.1201L	02.07.1201R
2	02.07.1202L	02.07.1202R
3	02.07.1203L	02.07.1203R
4	02.07.1204L	02.07.1204R
5	02.07.1205L	02.07.1205R
6	02.07.1206L	02.07.1206R
t3-i4	02.12.t3i4L	02.12.t3i4R
t4-i3	02.12.t4i3L	02.12.t4i3R



DIMENSIONS

Size	Medial A/P (mm)	Lateral A/P (mm)	Overall M/L (mm)	Length (mm)
1	40	38	60	34
2	43	41	65	34
3	46	44	70	34
4	50	47	75	34
5	53	50	80	34
6	58	54	87	34
t3-i4	46	44	70	34
t4-i3	50	47	75	34

4 GMK RESURFACING PATELLA



REFERENCE NUMBERS

Size	Reference numbers
1	02.07.0033RP
2	02.07.0034RP
3	02.07.0035RP
4	02.07.0036RP

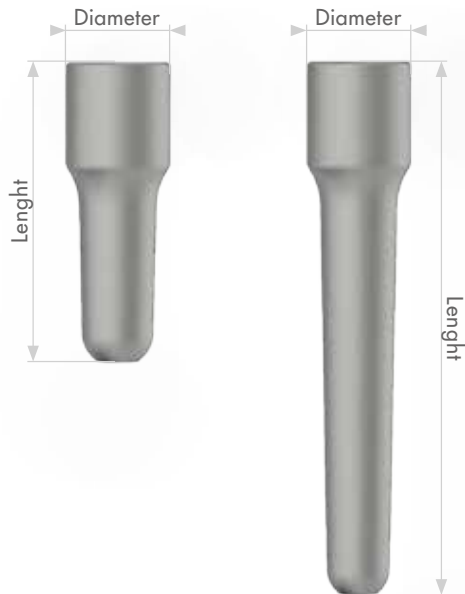
MATERIALS: UHMWPE - ISO 5834-2 Type 1



DIMENSIONS

Size	M/L (mm)	Thickness (mm)	A/P (mm)	Peg Length (mm)	Peg Diameter (mm)
1	32	10	26	5.5	4.5
2	35	10	29	5.5	4.5
3	38	10	32	5.5	4.5
4	41	10	35	5.5	4.5

5 GMK PRIMARY STEM



REFERENCE NUMBERS AND DIMENSION

Reference	Length (mm)	Diameter (mm)
02.07.F11030	30	11
02.07.F11066	65	11

MATERIALS: *Ti6-Al4-V - ISO 5832-3*

6 IMPLANTS COMPATIBILITY

TIBIA		FEMUR						
Tibia bone size	GMK Tibial Baseplate	GMK Sphere Femoral Components						
		Sizes 1/ 1+	Sizes 2/2+	Sizes 3/3+	Sizes 4/4+	Sizes 5/5+	Sizes 6/6+	Size 7
1	Size 1	Insert* size 1	Insert* size 1	Insert* size 1	✘	✘	✘	✘
2	Size 2	Insert* size 2	Insert* size 2	Insert* size 2	✘	✘	✘	✘
3	Size 3	Insert* size 3	Insert* size 3	Insert* size 3	✘	✘	✘	✘
	Size t3-i4**	✘	✘	✘	Insert* size 4	Insert* size 4	Insert* size 4	Insert* size 4
4	Size t4-i3***	Insert* size 3	Insert* size 3	Insert* size 3	✘	✘	✘	✘
	Size 4	✘	✘	✘	Insert* size 4	Insert* size 4	Insert* size 4	Insert* size 4
5	Size 5	✘	✘	✘	Insert* size 5	Insert* size 5	Insert* size 5	Insert* size 5
6	Size 6	✘	✘	✘	Insert* size 6	Insert* size 6	Insert* size 6	Insert* size 6

All GMK Resurfacing patellae can be implanted with all the sizes of GMK Sphere femoral components.
All GMK Primary stems can be implanted with all the sizes of GMK tibial baseplates.

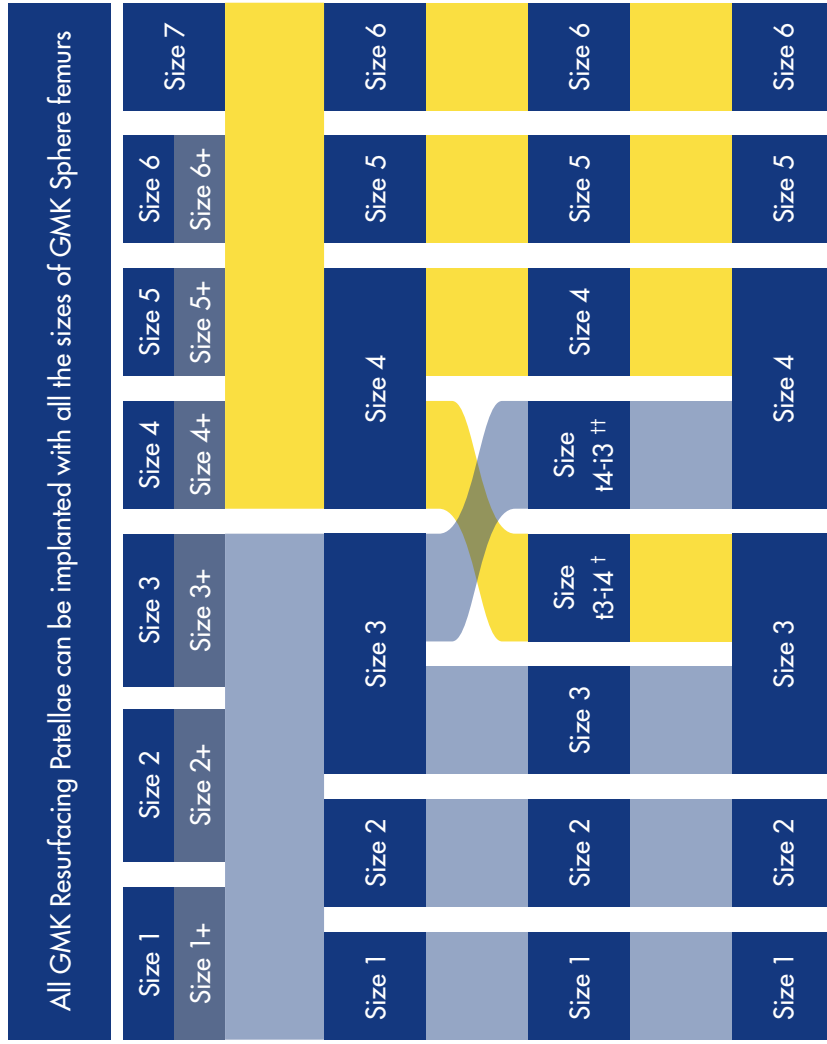
* GMK Sphere flex tibial insert

** Tibial Trays t3-i4 have the same coverage in AP and ML of a Tibial Tray Size 3 and have to be used with a Tibial Insert size 4.

*** Tibial Trays t4-i3 have the same coverage in AP and ML of a Tibial Tray Size 4 and have to be used with a Tibial Insert size 3.

GMK[®] SPHERE

M E D I A L L Y S T A B I L I Z E D K N E E



† Tibia size t3-i4 = Tibia size 3 for insert size 4

†† Tibia size t4-i3 = Tibia size 4 for insert size 3

GMK Patella

GMK Sphere Femur

GMK Sphere Flex Insert

GMK Tibia

Tibia



International



HEADQUARTERS

Medacta International SA
Strada Regina - 6874 Castel San Pietro
Switzerland
Phone +41 91 696 60 60
Fax +41 91 696 60 66
info@medacta.ch

REPRESENTATIVE

Switzerland - Frauenfeld
Gewerbestrasse 3 - 8500 Frauenfeld
Phone +41 (0) 848 423 423
Fax +41 (0) 848 423 424
info@medacta-swiss.ch

SUBSIDIARIES

Australia Medacta Australia PTY.LTD - Unit F37, 16 Mars Road - Lane Cove Business Park - NSW
Phone +61 (2) 94202944 - Fax +61 (2) 94202578 - info@medacta.com.au

Belgium Medacta Belgium B.V.B.A./S.P.R.L. - 5a Rue de la Maîtrise - 1400 Nivelles
Phone +32 (0) 67 555 482 - Fax +32 (0) 67 555 483 - info@medacta.be

Canada Medacta Canada Inc. - 31 McBrine Drive, Unit 11- N2R 1J1 - Kitchener, Ontario
Phone +1 519 279 1934 - Fax +1 519 279 1938 - info@medacta.ca

China Medacta China - Room B, 32/F, New SH Intl Tower - No. 360 Pudong South Road - Shanghai 200120, China
Phone +86 21 5835 1149 - info@medacta.cn

France Medacta France SAS - 6 Rue du Commandant d'Estienne d'Orves - Parc des Chanteraines - 92390 Villeneuve - La Garenne
Phone +33 147 39 07 22 - Fax +33 147 39 73 17 - info@medacta.fr

Germany Medacta Ortho GmbH - Jahnstrasse 86 - D - 73037 Göppingen
Phone +49 (0) 7161 50 44 312 - Fax +49 (0) 7161 50 44 320 - info@medacta.com

Italy Medacta Italia Srl - Via G. Stephenson, 94 - 20157 Milano
Phone +39 02 390 181 - Fax +39 02 390 00 704 - mail@medacta.it

Japan Medacta Japan CO. LTD - 100-0014 Chiyoda House 201 - 2 - 17-8, Nagatacho, Chiyoda-ku, Tokyo
Phone +81 (0) 3 5510 8883 - Fax +81 (0) 3 5510 8884 - info@medacta.co.jp

Spain Medacta España SLU - Avda de las Jacarandas - 2 - Edificio CREA Oficina 631- 46100 - Burjassot
Phone +34 (0) 963 484 688 - Fax +34 (0) 963 484 688 - info@medacta.es

UK Medacta UK Limited - 16 Greenfields Business Park - Wheatfield Way - Hinckley - Leicestershire - LE10 1BB
Phone +44 (0) 1455 613026 - Fax +44 (0) 1455 611446 - info@medacta.co.uk

USA Medacta USA, Inc. - 1556 West Carroll Avenue - Chicago - IL 60607
Phone +1 312 878 2381 - Fax +1 312 546 6881 - info@medacta.us.com

DISTRIBUTORS

Argentina	Austria	Belarus	Brazil	Bulgaria	Colombia	Greece
Indonesia	Kuwait	Malaysia	Mexico	New Zealand	South Africa	Vietnam

GMK Sphere
Specification Guide

ref: 99.26.sphere.11SG
rev. 00

Last update: February 2015
CE 0476