

GAAK SPHERE

MEDIALY STABILIZED KNEE

STABILITY FOR LIFE



Specification Guide

Joint

Spine

Sports Med

INDEX

1. GMK SPHERE FEMORAL COMPONENT	4
2. GMK SPHERE TIBIAL INSERT	6
3. GMK SPHERE TIBIAL BASEPLATE	9
4. GMK RESURFACING PATELLA	12
5. GMK INSET PATELLA	13
6. STEM EXTENSION	14
7. IMPLANTS COMPATIBILITY	15

1. GMK SPHERE FEMORAL COMPONENT

GMK SPHERE FEMUR CEMENTED



MATERIALS:
Co28-Cr6-Mo - ISO 5832-4

LEFT SIDE	SIZE	RIGHT SIDE
02.12.0001L	1	02.12.0001R
02.12.0021L	1+	02.12.0021R
02.12.0002L	2	02.12.0002R
02.12.0022L	2+	02.12.0022R
02.12.0003L	3	02.12.0003R
02.12.0023L	3+	02.12.0023R
02.12.0004L	4	02.12.0004R
02.12.0024L	4+	02.12.0024R
02.12.0005L	5	02.12.0005R
02.12.0025L	5+	02.12.0025R
02.12.0006L	6	02.12.0006R
02.12.0026L	6+	02.12.0026R
02.12.0007L	7	02.12.0007R

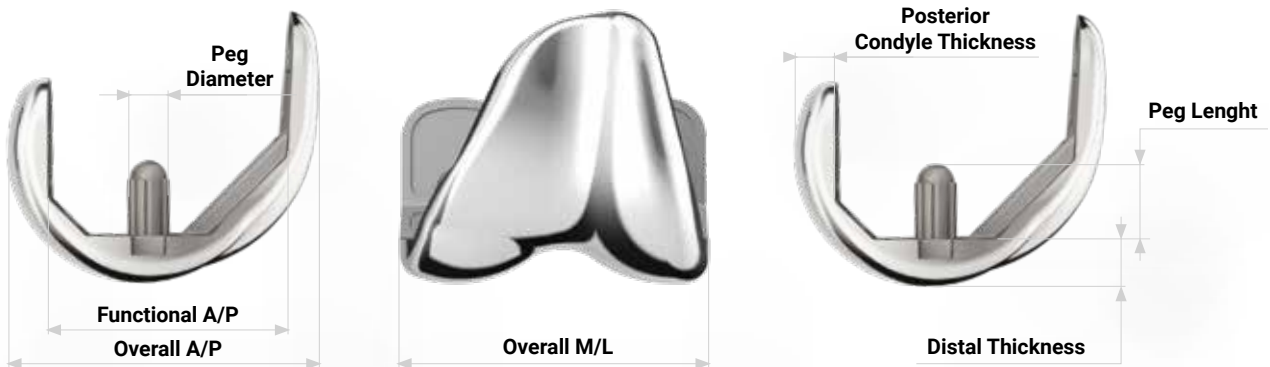
GMK SPHERE FEMUR CEMENTED TiN₂N



MATERIALS:
Co28-Cr6-Mo - ISO 5832-4 + TiN₂N coating

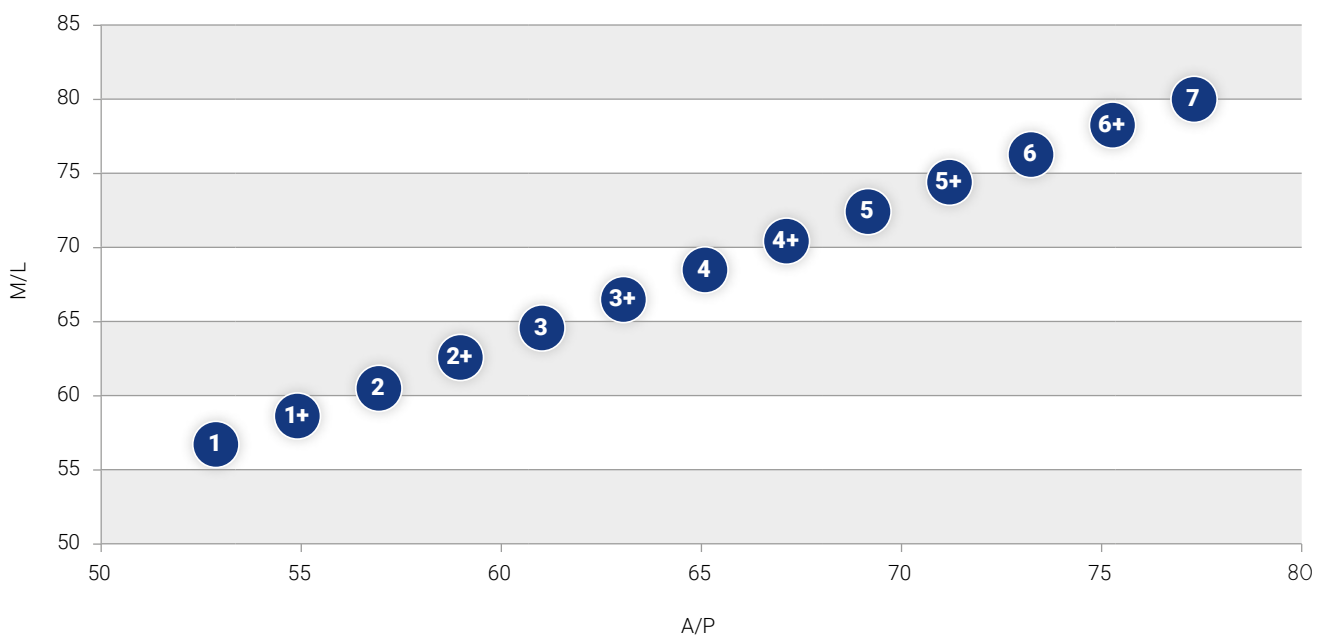
LEFT SIDE	SIZE	RIGHT SIDE
02.12.0701L	1	02.12.0701R
02.12.0721L	1+	02.12.0721R
02.12.0702L	2	02.12.0702R
02.12.0722L	2+	02.12.0722R
02.12.0703L	3	02.12.0703R
02.12.0723L	3+	02.12.0723R
02.12.0704L	4	02.12.0704R
02.12.0724L	4+	02.12.0724R
02.12.0705L	5	02.12.0705R
02.12.0725L	5+	02.12.0725R
02.12.0706L	6	02.12.0706R
02.12.0726L	6+	02.12.0726R
02.12.0707L	7	02.12.0707R

DIMENSIONS



SIZE	OVERALL A/P (mm)	FUNCTIONAL A/P (mm)	OVERALL M/L (mm)	DISTAL THICKNESS (mm)	POSTERIOR CONDYLE THICKNESS (mm)	PEG DIAMETER (mm)	PEG LENGHT (mm)
1	53	38	56	9	8	8	13
1+	55	40	58	9	8	8	13
2	57	41.5	60	9	8	8	13
2+	59	43	62	9	8	8	13
3	61	45	64	9	8	8	14
3+	63	46.5	66	9	8	8	14
4	65	48.5	68	9	8	8	14
4+	67	50	70	9	8	8	14
5	69	52	72	9	8	8	15
5+	71	53.5	74	9	8	8	15
6	73	55	76	9	8	8	15
6+	75	57	78	9	8	8	15
7	77	58.5	80	10	9	8	15

GMK SPHERE FEMORAL COMPONENT - OVERALL A/P VS OVERALL M/L



2. GMK SPHERE TIBIAL INSERT

GMK SPHERE FLEX



**MATERIALS: UHMWPE - ISO 5834-2 TYPE 1
Ti6-Al4-V - ISO 5832-3 (SCREW)**

REFERENCE NUMBERS - SIZE 1

LEFT SIDE	THICKNESS (mm)	RIGHT SIDE
02.12.0110FL	10	02.12.0110FR
02.12.0111FL	11	02.12.0111FR
02.12.0112FL	12	02.12.0112FR
02.12.0113FL	13	02.12.0113FR
02.12.0114FL	14	02.12.0114FR
02.12.0117FL	17	02.12.0117FR
02.12.0120FL	20	02.12.0120FR

REFERENCE NUMBERS - SIZE 2

LEFT SIDE	THICKNESS (mm)	RIGHT SIDE
02.12.0210FL	10	02.12.0210FR
02.12.0211FL	11	02.12.0211FR
02.12.0212FL	12	02.12.0212FR
02.12.0213FL	13	02.12.0213FR
02.12.0214FL	14	02.12.0214FR
02.12.0217FL	17	02.12.0217FR
02.12.0220FL	20	02.12.0220FR

REFERENCE NUMBERS - SIZE 3

LEFT SIDE	THICKNESS (mm)	RIGHT SIDE
02.12.0310FL	10	02.12.0310FR
02.12.0311FL	11	02.12.0311FR
02.12.0312FL	12	02.12.0312FR
02.12.0313FL	13	02.12.0313FR
02.12.0314FL	14	02.12.0314FR
02.12.0317FL	17	02.12.0317FR
02.12.0320FL	20	02.12.0320FR

REFERENCE NUMBERS - SIZE 4

LEFT SIDE	THICKNESS (mm)	RIGHT SIDE
02.12.0410FL	10	02.12.0410FR
02.12.0411FL	11	02.12.0411FR
02.12.0412FL	12	02.12.0412FR
02.12.0413FL	13	02.12.0413FR
02.12.0414FL	14	02.12.0414FR
02.12.0417FL	17	02.12.0417FR
02.12.0420FL	20	02.12.0420FR

REFERENCE NUMBERS - SIZE 5

LEFT SIDE	THICKNESS (mm)	RIGHT SIDE
02.12.0510FL	10	02.12.0510FR
02.12.0511FL	11	02.12.0511FR
02.12.0512FL	12	02.12.0512FR
02.12.0513FL	13	02.12.0513FR
02.12.0514FL	14	02.12.0514FR
02.12.0517FL	17	02.12.0517FR
02.12.0520FL	20	02.12.0520FR

REFERENCE NUMBERS - SIZE 6

LEFT SIDE	THICKNESS (mm)	RIGHT SIDE
02.12.0610FL	10	02.12.0610FR
02.12.0611FL	11	02.12.0611FR
02.12.0612FL	12	02.12.0612FR
02.12.0613FL	13	02.12.0613FR
02.12.0614FL	14	02.12.0614FR
02.12.0617FL	17	02.12.0617FR
02.12.0620FL	20	02.12.0620FR

GMK SPHERE CR



MATERIALS: UHMWPE - ISO 5834-2 TYPE 1

REFERENCE NUMBERS - SIZE 1

LEFT SIDE	THICKNESS (mm)	RIGHT SIDE
02.12.0110CRL	10	02.12.0110CRR
02.12.0111CRL	11	02.12.0111CRR
02.12.0112CRL	12	02.12.0112CRR
02.12.0113CRL	13	02.12.0113CRR
02.12.0114CRL	14	02.12.0114CRR

REFERENCE NUMBERS - SIZE 2

LEFT SIDE	THICKNESS (mm)	RIGHT SIDE
02.12.0210CRL	10	02.12.0210CRR
02.12.0211CRL	11	02.12.0211CRR
02.12.0212CRL	12	02.12.0212CRR
02.12.0213CRL	13	02.12.0213CRR
02.12.0214CRL	14	02.12.0214CRR

REFERENCE NUMBERS - SIZE 3

LEFT SIDE	THICKNESS (mm)	RIGHT SIDE
02.12.0310CRL	10	02.12.0310CRR
02.12.0311CRL	11	02.12.0311CRR
02.12.0312CRL	12	02.12.0312CRR
02.12.0313CRL	13	02.12.0313CRR
02.12.0314CRL	14	02.12.0314CRR

REFERENCE NUMBERS - SIZE 4

LEFT SIDE	THICKNESS (mm)	RIGHT SIDE
02.12.0410CRL	10	02.12.0410CRR
02.12.0411CRL	11	02.12.0411CRR
02.12.0412CRL	12	02.12.0412CRR
02.12.0413CRL	13	02.12.0413CRR
02.12.0414CRL	14	02.12.0414CRR

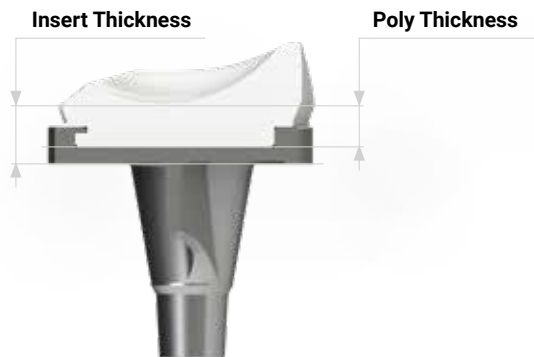
REFERENCE NUMBERS - SIZE 5

LEFT SIDE	THICKNESS (mm)	RIGHT SIDE
02.12.0510CRL	10	02.12.0510CRR
02.12.0511CRL	11	02.12.0511CRR
02.12.0512CRL	12	02.12.0512CRR
02.12.0513CRL	13	02.12.0513CRR
02.12.0514CRL	14	02.12.0514CRR

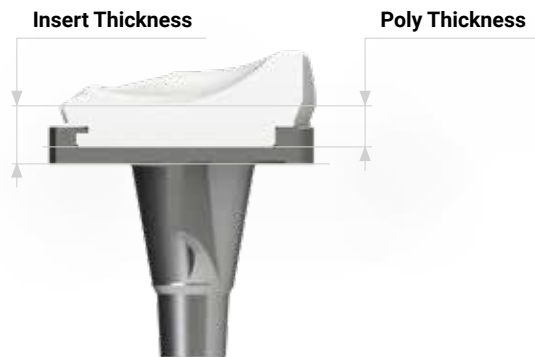
REFERENCE NUMBERS - SIZE 6

LEFT SIDE	THICKNESS (mm)	RIGHT SIDE
02.12.0610CRL	10	02.12.0610CRR
02.12.0611CRL	11	02.12.0611CRR
02.12.0612CRL	12	02.12.0612CRR
02.12.0613CRL	13	02.12.0613CRR
02.12.0614CRL	14	02.12.0614CRR

GMK SPHERE FLEX



GMK SPHERE CR



DIMENSIONS

INSERT THICKNESS (mm)	POLY THICKNESS (mm)
10	7
11	8
12	9
13	10
14	11
17	14
20	17

GMK SPHERE FLEX



GMK SPHERE CR



DIMENSIONS

SIZE	A/P (mm)	M/L (mm)
1	38	59
2	41	64
3	44	69
4	47	74
5	50	79
6	53	83

3. GMK SPHERE TIBIAL BASEPLATE

GMK SPHERE TIBIAL BASEPLATE CEMENTED



GMK Tibial Baseplate
Sizes 1 to 6



GMK Sphere Tibial Baseplate
Size t3-i4 (Tibia size 3 for insert size 4)



GMK Sphere Tibial Baseplate
Size t4-i3 (Tibia size 4 for insert size 3)

MATERIALS: Co28-Cr6-Mo - ISO 5832-4
UHMWPE - ISO 5834-2 TYPE 1 (PLUG)

REFERENCE NUMBERS

LEFT SIDE	SIZE	RIGHT SIDE
02.07.1201L	1	02.07.1201R
02.07.1202L	2	02.07.1202R
02.07.1203L	3	02.07.1203R
02.07.1204L	4	02.07.1204R
02.07.1205L	5	02.07.1205R
02.07.1206L	6	02.07.1206R
02.12.t3i4L	t3-i4	02.12.t3i4R
02.12.t4i3L	t4-i3	02.12.t4i3R

GMK SPHERE TIBIAL BASEPLATE CEMENTED TiN_bN



GMK Tibial Baseplate
Sizes 1 to 6



GMK Sphere Tibial Baseplate
Size t3-i4 (Tibia size 3 for insert size 4)



GMK Sphere Tibial Baseplate
Size t4-i3 (Tibia size 4 for insert size 3)

MATERIALS: Co28-Cr6-Mo - ISO 5832-4 + TiN_bN coating
UHMWPE - ISO 5834-2 TYPE 1 (PLUG)

REFERENCE NUMBERS

LEFT SIDE	SIZE	RIGHT SIDE
02.07.1201L	1	02.07.1201R
02.07.1202L	2	02.07.1202R
02.07.1203L	3	02.07.1203R
02.07.1204L	4	02.07.1204R
02.07.1205L	5	02.07.1205R
02.07.1206L	6	02.07.1206R
02.12.t3i4L	t3-i4	02.12.t3i4R
02.12.t4i3L	t4-i3	02.12.t4i3R



DIMENSIONS

SIZE	MEDIAL A/P (mm)	LATERAL A/P (mm)	OVERALL M/L (mm)	LENGHT (mm)	α
1	40	38	60	34	130°
2	43	41	65	34	130°
3	46	44	70	34	130°
4	50	47	75	34	130°
5	53	50	80	34	130°
6	58	54	87	34	130°
t3-i4	46	44	70	34	130°
t4-i3	50	47	75	34	130°

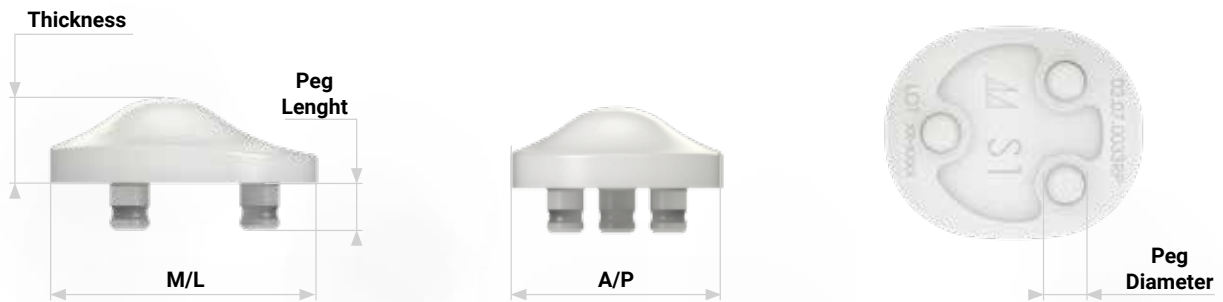
4. GMK RESURFACING PATELLA



REFERENCE NUMBERS

SIZE	REFERENCE
1	02.07.0033RP
2	02.07.0034RP
3	02.07.0035RP
4	02.07.0036RP

MATERIALS: UHMWPE - ISO 5834-2 TYPE 1



DIMENSIONS

SIZE	M/L (mm)	THICKNESS (mm)	A/P (mm)	PEG LENGTH (mm)	PEG DIAMETER (mm)
1	32	10	26	5.5	4.5
2	35	10	29	5.5	4.5
3	38	10	32	5.5	4.5
4	41	10	35	5.5	4.5

5. GMK INSET PATELLA



REFERENCE NUMBERS

SIZE	REFERENCE
1	02.07.0040IP
2	02.07.0041IP
3	02.07.0042IP
4	02.07.0043IP

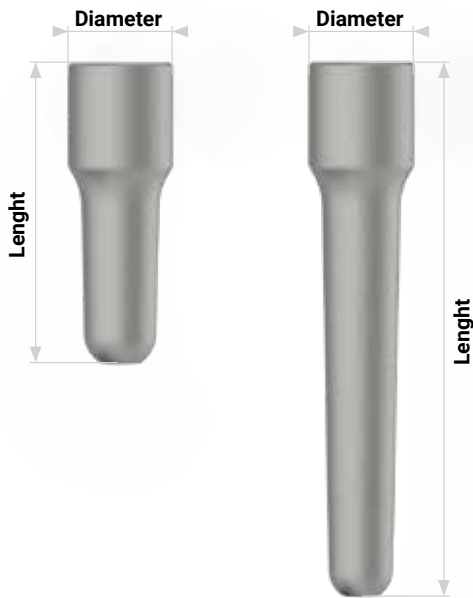
MATERIALS: UHMWPE - ISO 5834-2 TYPE 1



DIMENSIONS

SIZE	Ø (mm)	THICKNESS (mm)	PEG LENGTH (mm)	PEG DIAMETER (mm)
1	20	8	6.8	4
2	24	8.5	6.8	4
3	28	9	6.8	4
4	32	9.5	6.8	4

6. STEM EXTENSION *



REFERENCE NUMBERS AND DIMENSION

REFERENCE	LENGHT (mm)	DIAMETER (mm)
02.07.F11030	30	11
02.07.F11066	65	11

* Stem extension must not be coupled with TiNbn coated fixed tibial baseplates.

MATERIALS: Ti6-Al4-V - ISO 5832-3
Ti6-Al4-V - ISO 5832-3 (SCREW)

7. IMPLANTS COMPATIBILITY

GMK Fixed Tibial Trays	GMK Sphere Femoral Components						
	Sizes 1/ 1+	Sizes 2/2+	Sizes 3/3+	Sizes 4/4+	Sizes 5/5+	Sizes 6/6+	Size 7
Size 1	Insert* size 1	Insert* size 1	Insert* size 1				
Size 2	Insert* size 2	Insert* size 2	Insert* size 2				
Size 3	Insert* size 3	Insert* size 3	Insert* size 3				
Size t3-i4**				Insert* size 4	Insert* size 4	Insert* size 4	Insert* size 4
Size t4-i3***	Insert* size 3	Insert* size 3	Insert* size 3				
Size 4				Insert* size 4	Insert* size 4	Insert* size 4	Insert* size 4
Size 5				Insert* size 5	Insert* size 5	Insert* size 5	Insert* size 5
Size 6				Insert* size 6	Insert* size 6	Insert* size 6	Insert* size 6

All GMK Fixed Tibial Trays can be implanted with or without the extension stem. All GMK Resurfacing Patellae can be implanted with all the sizes of GMK Sphere Femoral Components.

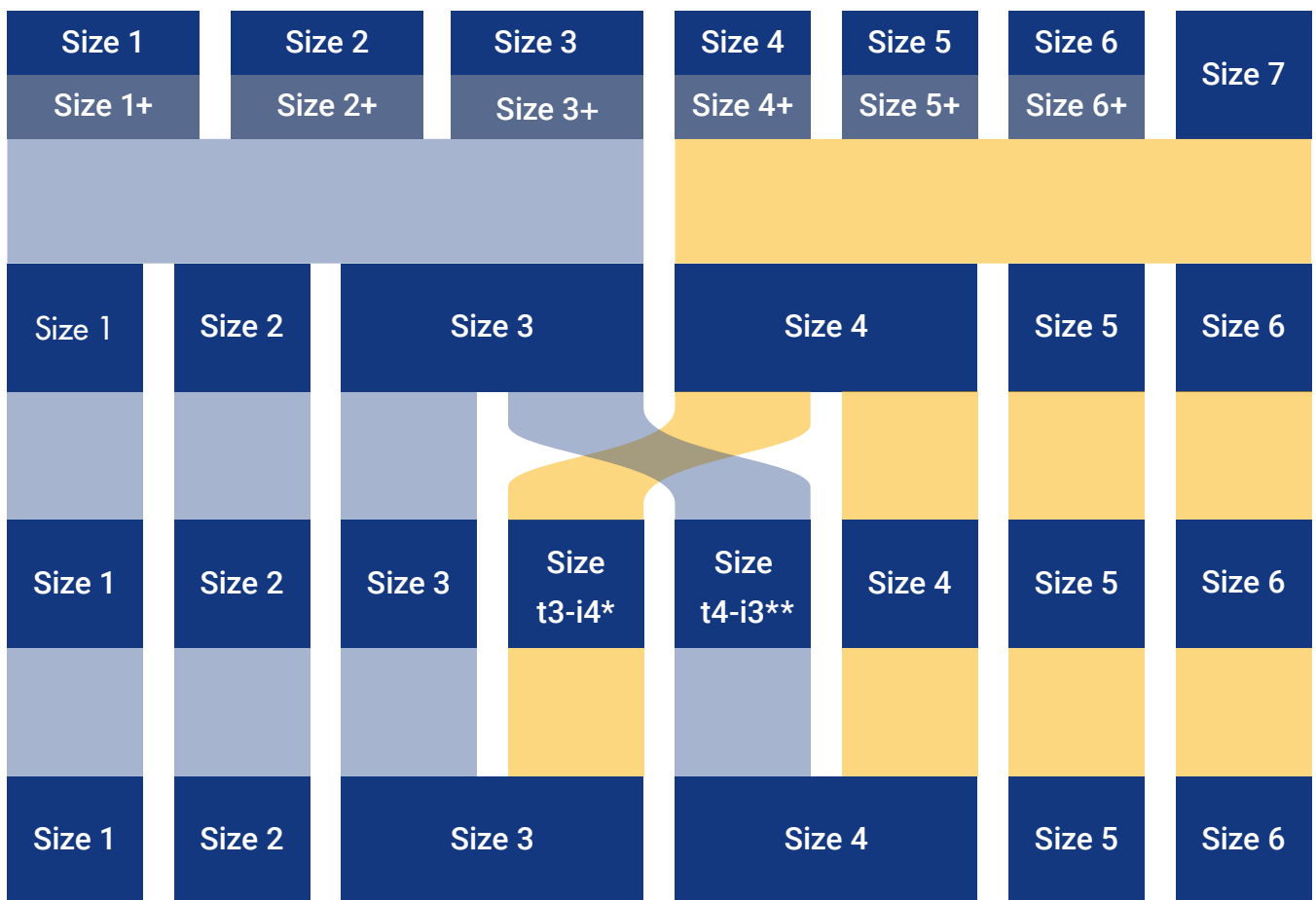
* GMK Sphere Flex/CR Tibial Insert

** Tibia size t3-i4 = Tibia size 3 for insert size 4

*** Tibia size t4-i3 = Tibia size 4 for insert size 3



All GMK Patellae can be implanted with all the sizes of GMK Sphere femurs



*Tibia size t3-i4 = Tibia size 3 for insert size 4

**Tibia size t4-i3 = Tibia size 4 for insert size 3

Part numbers subject to change.

NOTE FOR STERILISATION

The instrumentation is not sterile upon delivery. It must be cleaned before use and sterilised in an autoclave in accordance with the regulations of the country, EU directives where applicable and following the instructions for use of the autoclave manufacturer. For detailed instructions please refer to the document "Recommendations for cleaning decontamination and sterilisation of Medacta International orthopaedic devices" available at www.medacta.com.



**REDEFINING BETTER
IN ORTHOPAEDICS
AND SPINE SURGERY**

MEDACTA.COM



Medacta International SA
Strada Regina - 6874 Castel San Pietro - Switzerland
Phone +41 91 696 60 60 - Fax +41 91 696 60 66
info@medacta.ch

Find your local dealer at: [medacta.com/locations](https://www.medacta.com/locations)

All trademarks and registered trademarks are the property of their respective owners.
This document is not intended for the US market.
Please verify approval of the devices described in this document with your local Medacta representative.

GMK Sphere
Specification Guide

ref: 99.26SPHERE.11SG
rev. 01

Last update: November 2019
CE 0476