

# CANNULA SYSTEM



## Product Catalogue

Joint

Spine

Sports Med



## INDEX

<b>1. INSTRUMENTS OVERVIEW</b>	<b>4</b>
1.1 Shoulder Cannula System	4
1.2 Hip Cannula System	5
1.3 Hip Cannulas	6
1.4 Hip Metal Trocars	6
1.5 Hip Obturator	6
<b>2. HIP INSTRUMENTS COMPATIBILITY CHART</b>	<b>7</b>
<b>3. SHOULDER INSTRUMENTS COMPATIBILITY CHART</b>	<b>11</b>

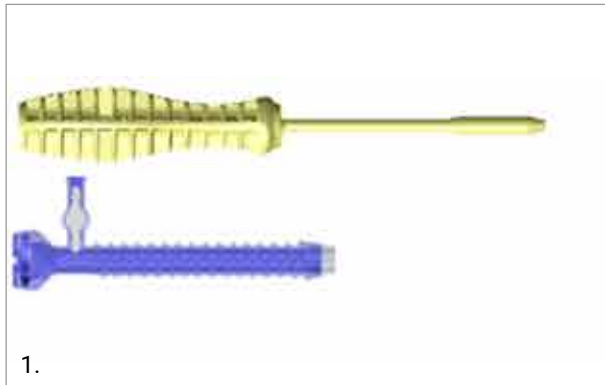
## 1. INSTRUMENTS OVERVIEW

The Medacta™ Cannula System provides a comprehensive choice of cannulas, specifically designed for Hip and Shoulder Arthroscopic procedures.

### 1.1 SHOULDER CANNULA SYSTEM

The Medacta Shoulder Cannula System provides direct arthroscopic visualization of the instruments and suture passing through the cannula. The cannula's atraumatic tip prevents soft tissue and cartilage damage during insertion and use. The cannulas are delivered with dedicated trocars to enable easy insertion of the cannula via a guidewire. Each cannula is supplied with a stopcock valve for convenient management of outflow.

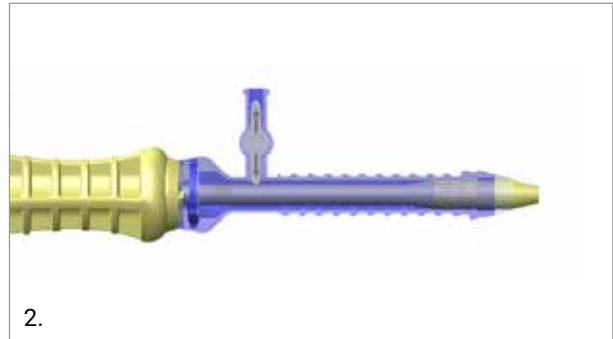
The shoulder Cannula System is supplied disposable in two different configurations.



### Shoulder Cannula System Ø8.5x70mm (Ref. 05.14.10.0001)

Cannulated Trocar, Ø8.5 WL 70mm.  
Color code: Yellow.

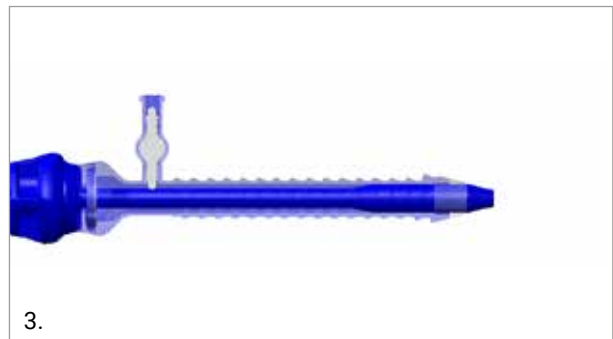
Translucent cannula 70mm WL.  
Atraumatic tip to protect tissue and cartilage.  
Supplied with a stopcock valve.



### Shoulder Cannula System Ø8.5x90mm (Ref. 05.14.10.0002)

Cannulated Trocar, Ø8.5 WL 90mm.  
Color code: Blue.

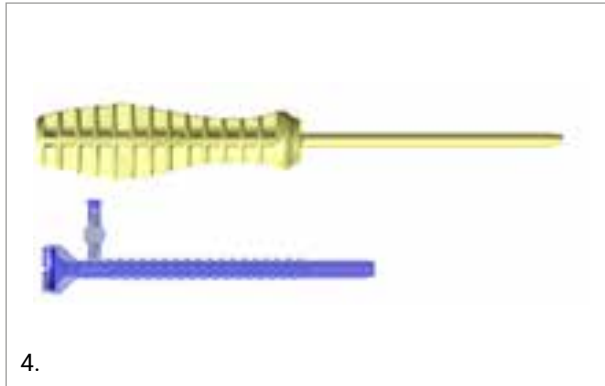
Translucent cannula 90mm WL.  
Atraumatic tip to protect tissue and cartilage.  
Supplied with a stopcock valve.



## 1.2 HIP CANNULA SYSTEM

The Medacta Hip Cannula System provides direct arthroscopic visualization of the instruments and suture passing through the cannula. The cannulas are delivered with dedicated trocars to enable easy insertion of the cannula via a switching stick. Each cannula is supplied with a stopcock valve for convenient management of outflow.

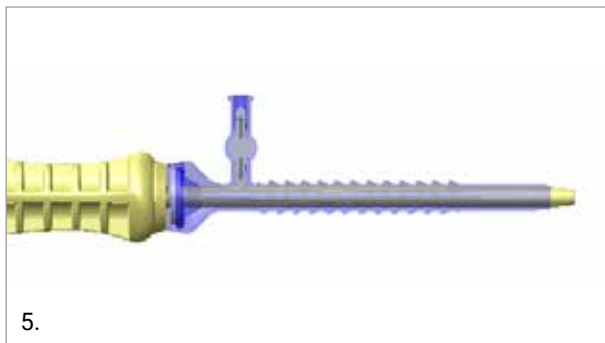
The Hip Cannula System is supplied disposable in four different configurations.



### Hip Cannula System Ø6.1x90mm (Ref. 05.14.10.0020)

Cannulated Trocar, Ø6.1 WL 90mm.  
Color code: Yellow.

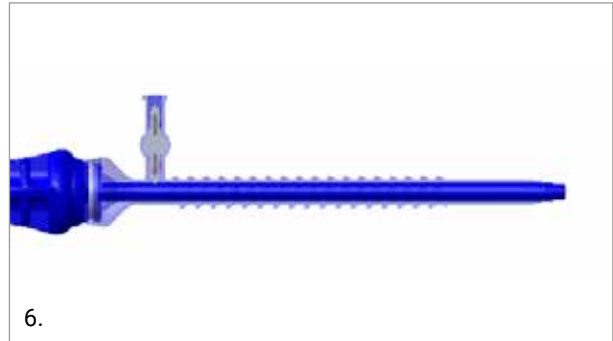
Translucent threaded cannula.  
Supplied with a stopcock valve.



### Hip Cannula System Ø6.1x120mm (Ref. 05.14.10.0021)

Cannulated Trocar, Ø6.1 WL 120mm.  
Color code: Blue.

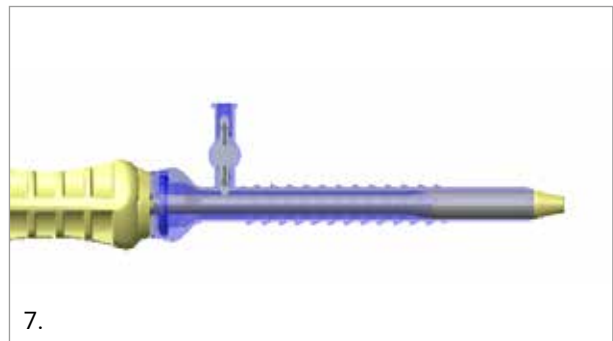
Translucent threaded cannula.  
Supplied with a stopcock valve.



### Hip Cannula System Ø8.5x90mm (Ref. 05.14.10.0022)

Cannulated Trocar, Ø8.5 WL 90mm.  
Color code: Yellow.

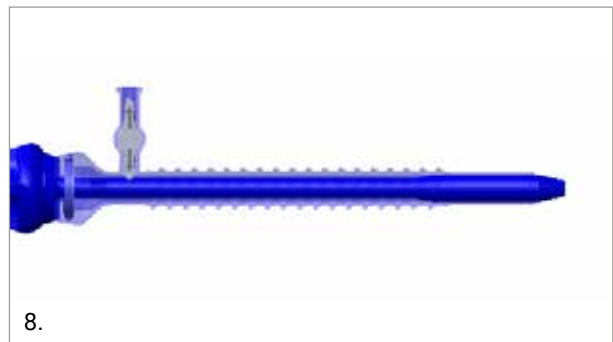
Translucent threaded cannula.  
Supplied with a stopcock valve.



### Hip Cannula System Ø8.5x120mm (Ref. 05.14.10.0023)

Cannulated Trocar, Ø8.5 WL 120mm.  
Color code: Blue.

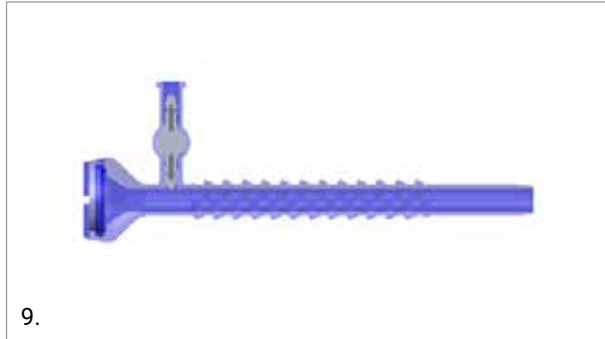
Translucent threaded cannula.  
Supplied with a stopcock valve.



### 1.3 HIP CANNULAS

The hip disposable cannulas are optionally provided as individual accessories in four configurations.

The whole range is compatible with the dedicated hip metal trocars.



**Hip Cannula - Size Ø6.1 WL 90mm (Ref. 05.14.10.0005)**

**Hip Cannula - Size Ø6.1 WL 120mm (Ref. 05.14.10.0006)**

**Hip Cannula - Size Ø8.5 WL 90mm (Ref. 05.14.10.0007)**

**Hip Cannula - Size Ø8.5 WL 120mm (Ref. 05.14.10.0008)**

### 1.4 HIP METAL TROCARS

Hip metal trocars are reusable accessories compatible with the dedicated disposable hip cannula to facilitate the access to the joint cavity for hip arthroscopic procedures.

During this procedure, the sharp-pointed trocars are placed within the incision by puncturing the wall of the body cavity.



**Hip Metal Trocar - Size Ø6.1 WL 90mm  
(Ref. 05.14.10.0010)**

**Hip Metal Trocar - Size Ø6.1 WL 120mm  
(Ref. 05.14.10.0011)**

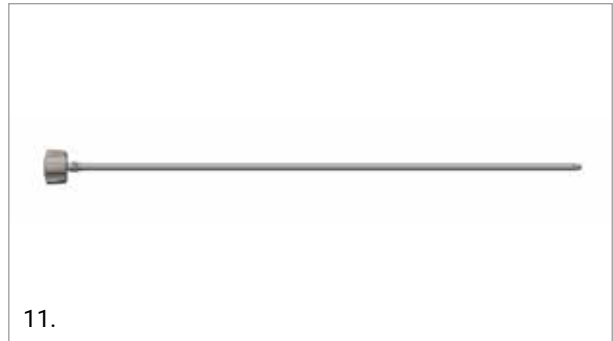
**Hip Metal Trocar - Size Ø8.5 WL 90mm  
(Ref. 05.14.10.0015)**

**Hip Metal Trocar - Size Ø8.5 WL 120mm  
(Ref. 05.14.10.0016)**

### 1.5 HIP OBTURATOR

The hip obturator is a reusable accessory compatible with the dedicated hip metal trocars to prevent fluid diffusion during hip arthroscopic procedures.

It is equipped with a cannulation Ø1.6mm to allow the passage of a guide wire.

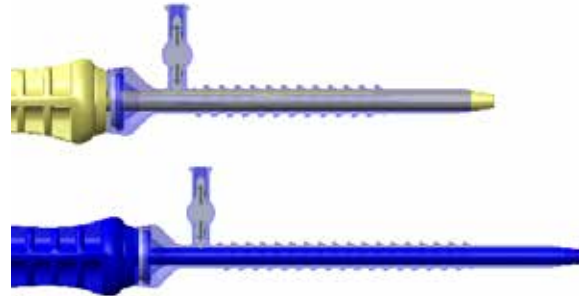












**Hip Obturator for Cannula 90mm - Size Ø4mm  
(Ref. 05.14.10.0030)**






**Hip Obturator for Cannula 120mm - Size Ø4mm  
(Ref. 05.14.10.0031)**

## 2. HIP INSTRUMENTS COMPATIBILITY CHART

### HIP CANNULA SYSTEM Ø6.1MM (Ref. 05.14.10.0005 - Ref. 05.14.10.0006 - Ref. 05.14.10.0020 - Ref. 05.14.10.0021)

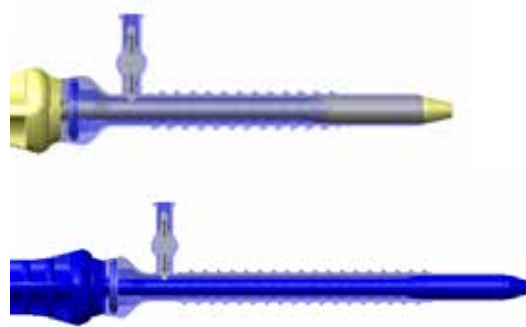












Ref.	Description	Image	Compatible / Not Compatible
05.11.10.0001	HIP Arthro - Probe 0°		Compatible
05.11.10.0002	HIP Arthro - Probe 10° Bent		Compatible
05.11.10.0003	HIP Arthro - Probe 20° Bent		Not Compatible
05.11.10.0004	HIP Arthro - Microfracture 60°		Compatible
05.11.10.0005	HIP Arthro - Microfracture 90°		Compatible
05.11.10.0006	HIP Arthro - Microfracture 60° Bent		Not Compatible
05.11.10.0007	HIP Arthro - Microfracture 90° Bent		Not Compatible
05.11.10.0008	HIP Arthro - Rasp single side 15° + 15° Bent		Not Compatible
05.11.10.0009	HIP Arthro - Rasp double side 15° + 15° Bent		Not Compatible
05.11.10.0010	HIP Arthro - Elevator 15°		Compatible

Ref.	Description	Image	Compatible / Not Compatible
05.11.10.0011	HIP Arthro - Elevator 30°		Compatible
05.11.10.0012	HIP Arthro - Elevator 15° + 15° Bent		Not Compatible
05.11.10.0013	HIP Arthro - Curette double side 10° Bent Small		Compatible
05.11.10.0014	HIP Arthro - Curette double side 30° Bent Small		Not Compatible
05.11.10.0015	HIP Arthro - Curette double side 10° Bent Large		Compatible
05.11.10.0016	HIP Arthro - Curette double side 30° Bent Large		Not Compatible
05.11.10.0024	HIP Arthro - Knot Pusher 150 mm		Compatible
05.11.10.0025	HIP Arthro - Knot Pusher 180 mm		Compatible



**HIP CANNULA SYSTEM Ø8.5MM (Ref. 05.14.10.0007 - Ref. 05.14.10.0008 - Ref. 05.14.10.0022 - Ref. 05.14.10.0023)**

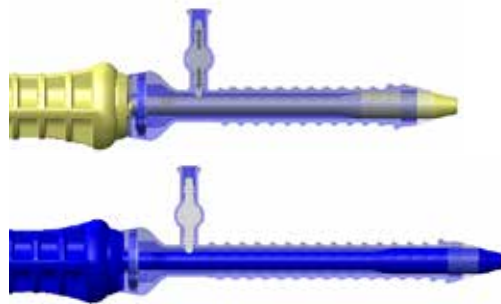


Ref.	Description	Image	Compatible / Not Compatible
05.11.10.0001	HIP Arthro - Probe 0°		Compatible
05.11.10.0002	HIP Arthro - Probe 10° Bent		Compatible
05.11.10.0003	HIP Arthro - Probe 20° Bent		Compatible
05.11.10.0004	HIP Arthro - Microfracture 60°		Compatible
05.11.10.0005	HIP Arthro - Microfracture 90°		Compatible
05.11.10.0006	HIP Arthro - Microfracture 60° Bent		Not Compatible
05.11.10.0007	HIP Arthro - Microfracture 90° Bent		Not Compatible
05.11.10.0008	HIP Arthro - Rasp single side 15° + 15° Bent		Not Compatible
05.11.10.0009	HIP Arthro - Rasp double side 15° + 15° Bent		Not Compatible
05.11.10.0010	HIP Arthro - Elevator 15°		Compatible

Ref.	Description	Image	Compatible / Not Compatible
05.11.10.0011	HIP Arthro - Elevator 30°		Compatible
05.11.10.0012	HIP Arthro - Elevator 15° + 15° Bent		Compatible
05.11.10.0013	HIP Arthro - Curette double side 10° Bent Small		Compatible
05.11.10.0014	HIP Arthro - Curette double side 30° Bent Small		Not Compatible
05.11.10.0015	HIP Arthro - Curette double side 10° Bent Large		Compatible
05.11.10.0016	HIP Arthro - Curette double side 30° Bent Large		Not Compatible
05.11.10.0024	HIP Arthro - Knot Pusher 150 mm		Compatible
05.11.10.0025	HIP Arthro - Knot Pusher 180 mm		Compatible

### 3. SHOULDER INSTRUMENTS COMPATIBILITY CHART

**SHOULDER CANNULA SYSTEM Ø8.5X70MM (Ref. 05.14.10.0001)**  
**SHOULDER CANNULA SYSTEM Ø8.5X90MM (Ref. 05.14.10.0002)**



Ref.	Description	Image	Compatible / Not Compatible
05.10.10.0001	SH Arthro - Probe 0°		Compatible
05.10.10.0002	SH Arthro - Elevator 20° Bent		Compatible
05.10.10.0003	SH Arthro - Rasp 20° Bent		Compatible
05.10.10.0004	SH Arthro - Knot pusher 150 mm		Compatible

Part numbers subject to change.

#### NOTE FOR STERILIZATION

The instrumentation is not sterile upon delivery. Instruments must be cleaned before use and sterilized in an autoclave respecting the US regulations, directives where applicable, and following the manufactures instructions for use of the autoclave. For detailed instructions please refer to the document "Recommendations for cleaning decontamination and sterilisation of Medacta International orthopaedic devices" available at [www.medacta.com](http://www.medacta.com).



---

**REDEFINING BETTER  
IN ORTHOPAEDICS  
AND SPINE SURGERY**

---

MEDACTA.COM



**Medacta International SA**  
Strada Regina - 6874 Castel San Pietro - Switzerland  
Phone +41 91 696 60 60 - Fax +41 91 696 60 66  
info@medacta.ch

Find your local dealer at: [medacta.com/locations](http://medacta.com/locations)

All trademarks and registered trademarks are the property of their respective owners.  
This document is intended for the US market.

Cannula System  
Product Catalogue

ref: 99.103SM.180US  
rev. 00

Last update: April 2019