

MEDACTA LIGAMENT STAPLE



TECHNIQUE TO MIMIC THE NATIVE INSERTIONS, MORPHOLOGY AND KINEMATICS OF THE NATURAL MCL OR LCL

MORE BONE PRESERVING

Less invasive and time consuming than drilling a tunnel

MORE ANATOMIC

Reconstruct a flat structure into a flat structure again

DIRECT FIXATION

and more precise reproduction of native MCL & LCL kinematics

REDUCED GRAFT "WORKING LENGTH"

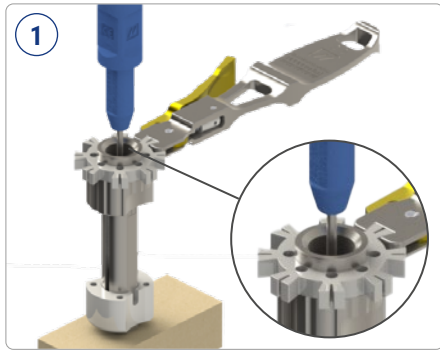
MATERIAL

The Titanium Staple and the spiky PEEK inlay decreases ligament displacement and reduces the amount of metal in contact with the soft tissue minimizing tissue irritation

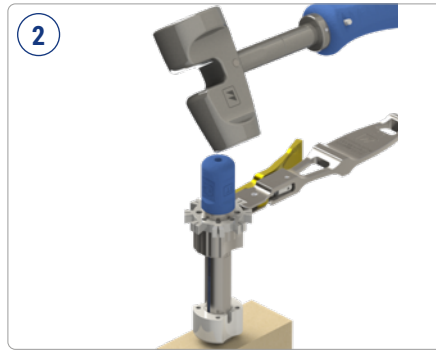
OPTION TO RETENTION THE GRAFT

before securing it with the Ligament Staple

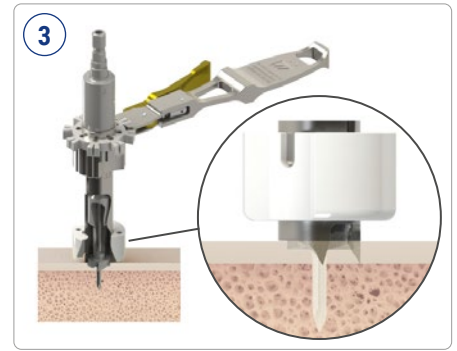
SURGICAL STEPS



1 Suture the graft with preferred technique. Target the anatomical position of the implant with the aid of a guidewire, slide the Ligament Tensioner over the guidewire and insert the Cannulated Anvil.



2 Keeping the K-wire in place, use the Anvil as interface to impact the Ligament Tensioner in the bone.



3 Countersink (1.5 mm depth) the bone using the Ligament Staple Reamer to create the implant seat.



4 Remove the Ligament Tensioner (optionally 2.4 mm guidewires can be placed through the Ligament Tensioner external holes to memorize the correct position of the Ligament Tensioner). Tension the graft and reposition the Ligament Tensioner above, optionally using the placed guidewire. Sutures can be fixed in the dedicated suture slots.



5 Impact the implant into the bone using the Staple Impactor guided by the tube of the Ligament Tensioner.

ORDERING INFORMATION

IMPLANT			
Order Number	Description		
05.12.001	Ligament Staple Ø11mm		

DISPOSABLE			
Order Number	Description		
05.12.10.0006	Ø2.4 k-wire KIT for Ligament Staple L105mm Qty 5x (sterile)		

INSTRUMENT SET - ORDER NUMBER 05.12S.001			
Order Number	Description	Order Number	Description
05.12.10.0001	Staple Impactor	05.12.10.0005	Ligament Staple Fork
05.12.10.0002	Ligament Staple Lifter	05.12.10.0007	Anvil
05.12.10.0003	Ligament Tensioner	01.10.10.202	Short T-handle - Zimmer all connection (On Demand)
05.12.10.0004	Ligament Staple Reamer		





[SPORTSMED.MEDACTA.COM](https://www.sportsmed.medacta.com)


Distributed by **Medacta International SA** | Strada Regina - 6874 Castel San Pietro - Switzerland | Phone +41 91 696 60 60 | Fax +41 91 696 60 66 | info@medacta.ch

Find your local dealer at: [medacta.com/locations](https://www.medacta.com/locations). All trademarks and registered trademarks are the property of their respective owners. This document is intended for the US market. Please verify approval of the devices described in this document with your local Medacta representative.

ref: 99.117SMK.1SALESSUS rev. 00 Last update: September 2021